

GW-CBA1

K1-A1-210



MOTION
DETECTION



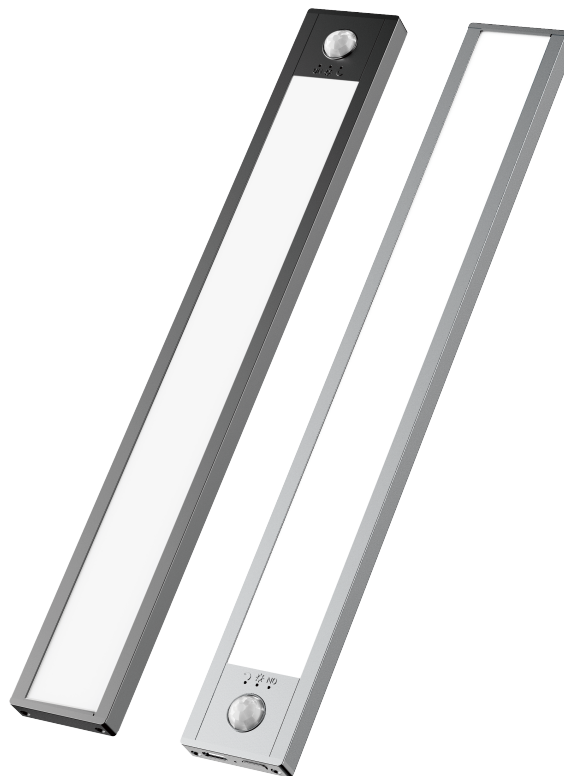
WARRANTY



DIMABLE



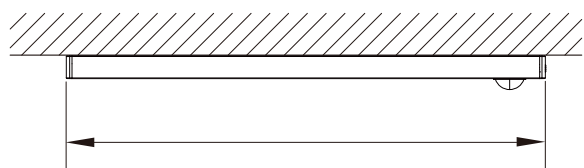
DAY/NIGHT
LIGHT



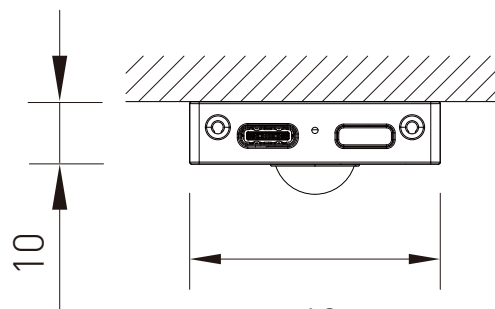
Product Features

- **LED Technology**—Three selectable color temps.
- **Two Sensing Modes**—Sensing time is separated by daytime and nighttime for different needs.
- **PIR Sensor**—In Sensing mode, human body motion sensor works when brightness is low.
- **Stepless Dimming**—10-100% stepless dimming.

Unit: mm



210



40

Specification

Model	GW-CBA1-K1-A1	Luminous Flux	60lm	LED QTY	32 PCS SMD LED
Product Dimension	210*40*10mm	Charging	5V DC 1A	Color Temp	3000K/4000K/6500K
Material	ABS+PS+Aluminum	RA	>80	Power	1w
Color	Silver/Sky grey	IP	20	PIR sensing distance	3-6m
Battery	3.7V 1000mAh	Lifespan	20000H	Charge Time	2.3h
Discharge Time At Maximum Brightness	4.8h	Discharge Time At Minimum Brightness	43h		

Specification

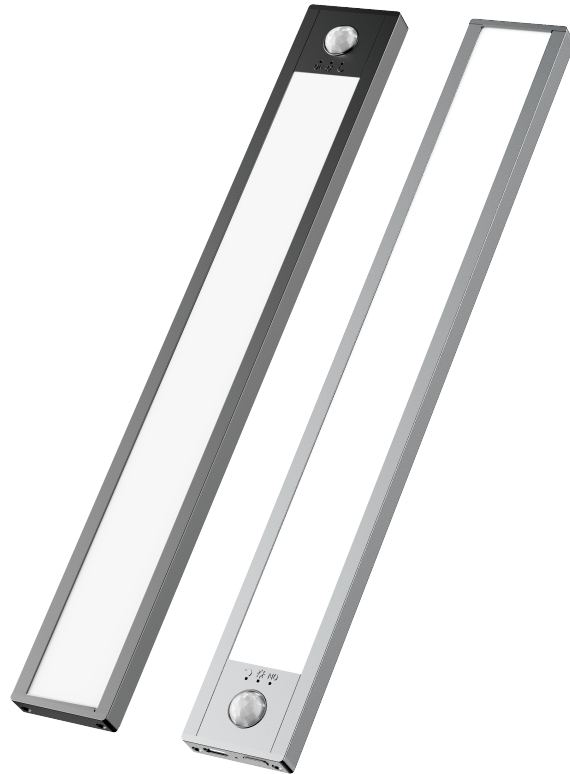
Model	GW-CBA1-K1-A1	Luminous Flux	120lm	LED QTY	48 PCS SMD LED
Product Dimension	300*40*10mm	Charging	5V DC 1A	Color Temp	3000K/4000K/6500K
Material	ABS+PS+Aluminum	RA	>80	Power	2w
Color	Silver/Sky grey	IP	20	PIR sensing distance	3-6m
Battery	3.7V 1000mAh	Lifespan	20000H	Charge Time	2.5h
Discharge Time At Maximum Brightness	2.4h	Discharge Time At Minimum Brightness	22.7h		

Specification

Model	GW-CBA1-K1-A1	Luminous Flux	180lm	LED QTY	84 PCS SMD LED
Product Dimension	500*40*10mm	Charging	5V DC 1A	Color Temp	3000K/4000K/6500K
Material	ABS+PS+Aluminum	RA	>80	Power	3w
Color	Silver/Sky grey	IP	20	PIR sensing distance	3-6m
Battery	3.7V 1500mAh	Lifespan	20000H	Charge Time	2.8h
Discharge Time At Maximum Brightness	2.7h	Discharge Time At Minimum Brightness	25.2h		

GW-CBA1

K1-A1-400



MOTION
DETECTION



WARRANTY



DIMABLE

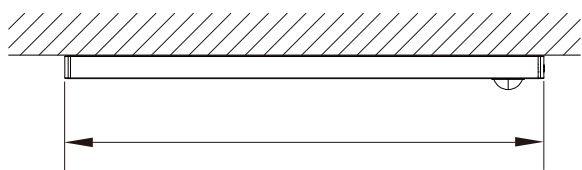


DAY/NIGHT
LIGHT

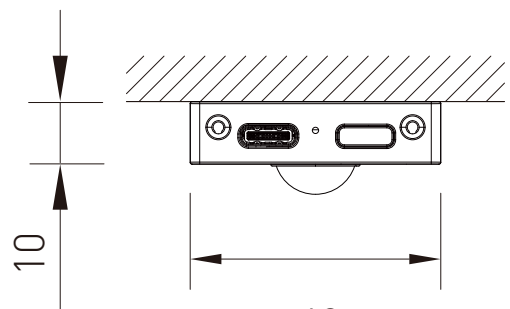
Product Features

- **LED Technology**—Three selectable color temps.
- **Two Sensing Modes**—Sensing time is separated by daytime and nighttime for different needs.
- **PIR Sensor**—In Sensing mode, human body motion sensor works when brightness is low.
- **Stepless Dimming**—10-100% stepless dimming.

Unit: mm



400



40

Specification

Model	GW-CBA1-K1-A1	Luminous Flux	150lm	LED QTY	66 PCS SMD LED
Product Dimension	400*40*10mm	Charging	5V DC 1A	Color Temp	3000K/4000K/6500K
Material	ABS+PS+Aluminum	RA	>80	Power	2.5w
Color	Silver/Sky grey	IP	20	PIR sensing distance	3-6m
Battery	3.7V 1500mAh	Lifespan	20000H	Charge Time	3.2h
Discharge Time At Maximum Brightness	2.3h	Discharge Time At Minimum Brightness	29.3h		

GW-CBA1

K1-A1-300



MOTION
DETECTION



WARRANTY



DIMABLE



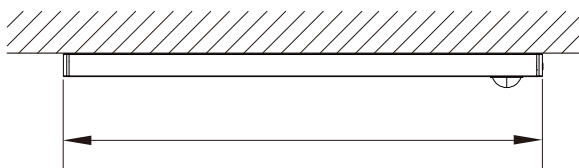
DAY/NIGHT
LIGHT



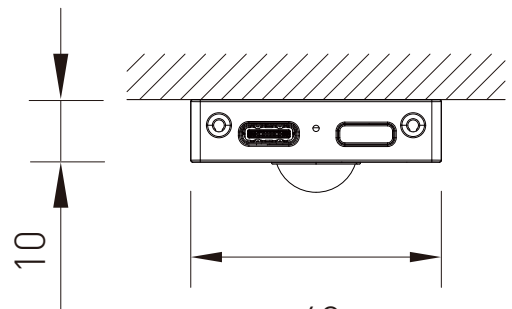
Product Features

- **LED Technology**—Three selectable color temps.
- **Two Sensing Modes**—Sensing time is separated by daytime and nighttime for different needs.
- **PIR Sensor**—In Sensing mode, human body motion sensor works when brightness is low.
- **Stepless Dimming**—10-100% stepless dimming.

Unit: mm



300



40

GW-CBA1

K1-A1-500



MOTION
DETECTION



WARRANTY



DIMABLE

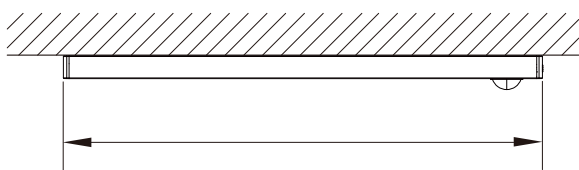


DAY/NIGHT
LIGHT

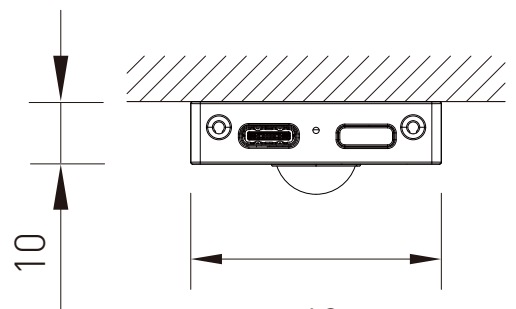
Product Features

- **LED Technology**—Three selectable color temps.
- **Two Sensing Modes**—Sensing time is separated by daytime and nighttime for different needs.
- **PIR Sensor**—In Sensing mode, human body motion sensor works when brightness is low.
- **Stepless Dimming**—10-100% stepless dimming.

Unit: mm



500



40

GW-CBA1

K1-A1-600



MOTION
DETECTION



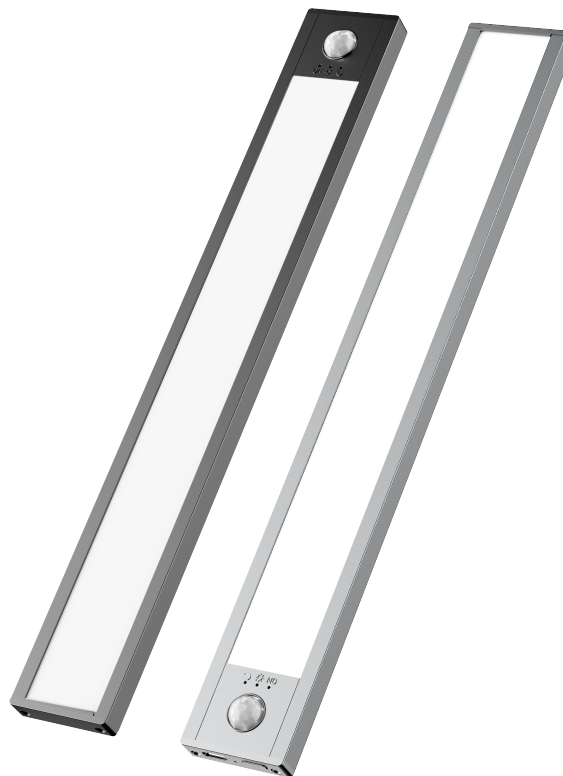
WARRANTY



DIMABLE



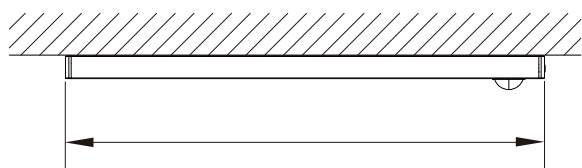
DAY/NIGHT
LIGHT



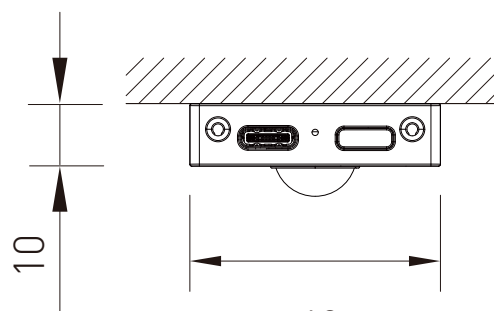
Product Features

- **LED Technology**—Three selectable color temps.
- **Two Sensing Modes**—Sensing time is separated by daytime and nighttime for different needs.
- **PIR Sensor**—In Sensing mode, human body motion sensor works when brightness is low.
- **Stepless Dimming**—10-100% stepless dimming.

Unit: mm



600



40

Specification

Model	GW-CBA1-K1-A1	Luminous Flux	240lm	LED QTY	102 PCS SMD LED
Product Dimension	600*40*10mm	Charging	5V DC 1A	Color Temp	3000K/4000K/6500K
Material	ABS+PS+Aluminum	RA	>80	Power	4w
Color	Silver/Sky grey	IP	20	PIR sensing distance	3-6m
Battery	3.7V 2200mAh	Lifespan	20000H	Charge Time	4h
Discharge Time At Maximum Brightness	3.1h	Discharge Time At Minimum Brightness	30.2h		